

Roller shutter

- Easy installation
- Variable cabinet height > 650mm - 1600mm
- Available case width > 600/ 900/ 1200mm



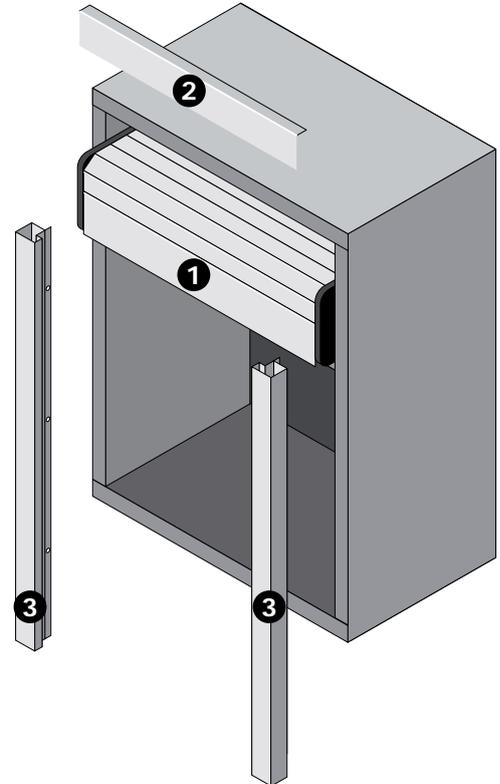
Anodized Aluminium finishing

Easy to handle, easy to assemble.

The shutter slides into a spiral guide.

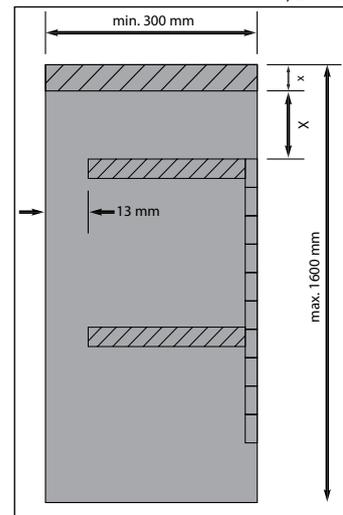


The smart case has the complete solution. With its weight compensator fitted and integrated stopper within the plug-in unit the assembly will succeed with a minimum of manual work. Simply push the unit into the cabinet, clips the upper cover profile on, mount the guidance profiles on and the roller shutter module fits perfectly. Top function by means of best materials: The plastic side parts with inserted worm screw guidance allow a smooth opening and closing. Both brackets are connected by the adjustable fitting smart lift expand as well as by a galvanized stabilization axle. Together they ensure safe transportation



1. 1x roller shutter module
2. 1x cover profile
3. 1x pair of guiding profiles

Recommended cabinet construction, 25 mm slats



Cabinet width (mm)	Slat Size (mm)	Cabinet Height (mm)	Carcase Size (16mm)	Finishes	
				Anodized Aluminium	Stainless Steel
600	25	651 - 1200	123	Anodized Aluminium	Stainless Steel
900	25	651 - 1200	123	Anodized Aluminium	Stainless Steel
1200	25	651 - 1200	123	Anodized Aluminium	Stainless Steel

Cabinet dimensions

The system functions best possibly in cabinets with carcase sizes of 16 or 19 mm. A suitable version for each cabinet: The plastic side parts are available in three variations. The different heights up to a cabinet height of 650 mm, 1200 mm and 1530 mm ensure a smallest possible construction space in any case. The minimum depth of the cabinet always amounts to 300 mm.